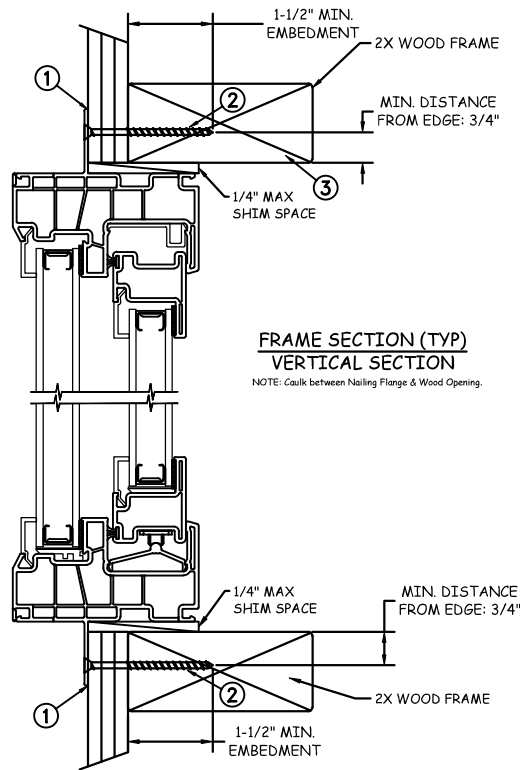


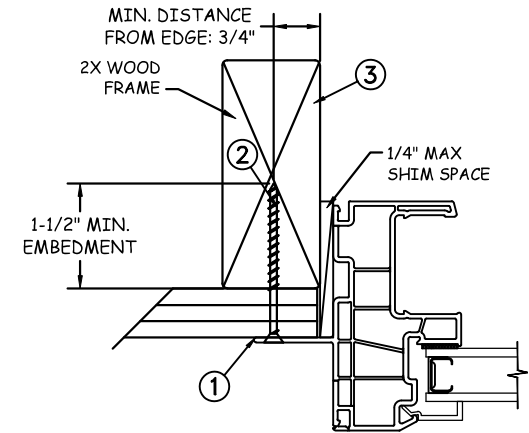
TYPICAL ELEVATION WITH FASTENER SPACING



**FRAME SECTION (TYP)
VERTICAL SECTION**

NOTE: Caulk between Nailing Flange & Wood Opening.

NAIL FIN INSTALLATION



**JAMB SECTION (TYP)
HORIZONTAL SECTION**

NOTE: Caulk between Nailing Flange & Wood Opening.

Max Frame	DP RATING	IMPACT
72" x 60"	+50/-55	NO

Installation Notes:

1. Seal flange/frame to substrate.
2. Use #8 PH or greater fastener through the nail fin with sufficient length to penetrate a minimum of 1 1/2" into the wood framing. For 2X wood frame substrate (min. S.G. = 0.42).
3. Host structure (wood buck, masonry, steel) to be designed and anchored to properly transfer all loads to the structure. The host structure is the responsibility of the architect or engineer of record for the project of installation.

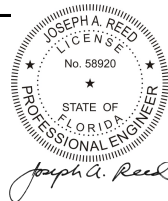
General Notes:

1. The product shown herein is designed, tested and manufactured to comply with the wind load criteria of the adopted International Building Code(IBC), the International Residential Code(IRC), the Florida Building Code(FBC) excluding HVHZ and the industry requirement for the stated conditions.
2. All glazing shall conform to ASTM E1300.
3. At minimum, glazing shall be 3.0mm annealed - 15.9mm airspace - 3.0mm annealed insulating glass.
4. Use structural or composite shims where required.

This schedule addresses only the fasteners required to anchor the window to achieve the rated design pressure up to the size limitations noted. It is not intended as a guide to the installation process and does not address the sealing consideration that may arise in different wall conditions. For the complete installation procedure, see the instructions packaged with the window or go to www.jeld-wen.com.

DISCLAIMER:

This drawing and its contents are confidential and are not to be reproduced or copied in whole or in part or used or disclosed to others except as authorized by JELD-WEN Inc.



2021.02.04 11:15:22 -0500
JOSEPH A. REED, P.E.
 Florida PE 58920, REG. No. 33474
 National Certified Testing Laboratories
 5 Leigh Drive, York, PA. 17406
 (717) 846-1200

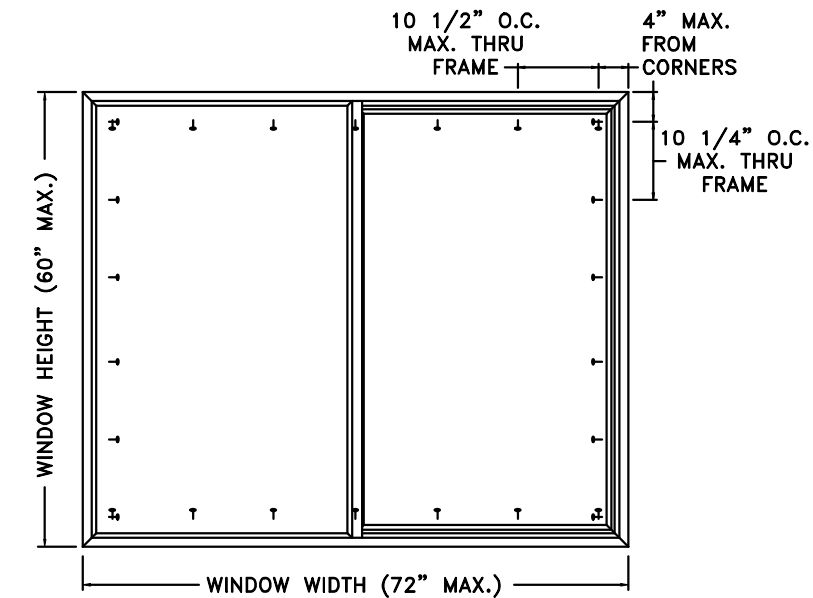
--	DATE: 04/13/18
DRAWN BY: A. MCMILLAN	SCALE: NTS
CHECKED BY: J. GOOSSEN	TITLE:
APPROVED BY: J. GOOSSEN	
RECORD No: D014928	
REPORT No: SJW2015-051	

3737 Lakeport Blvd
 Klamath Falls, OR, 97601
 Phone: (800) 535-3936

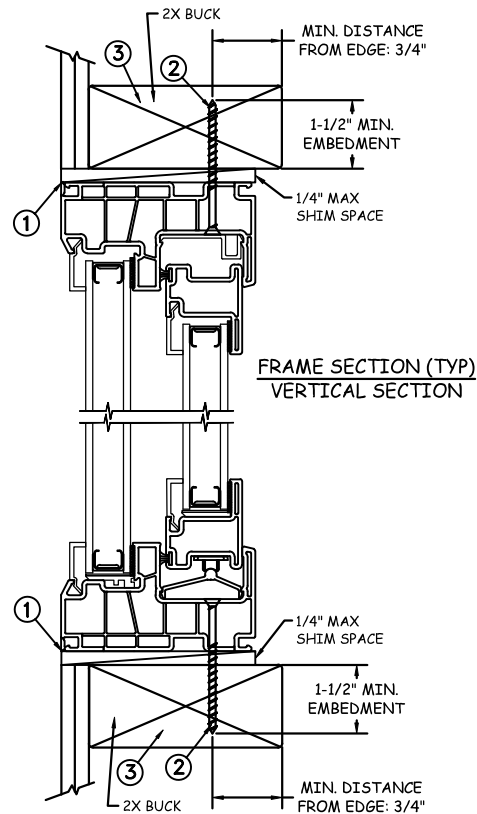
JELD-WEN

Premium Vinyl Horizontal Slider Non-Impact Window

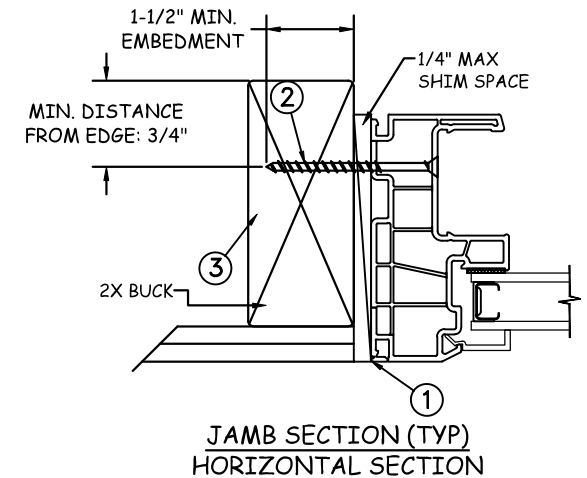
CAD DWG. No.:	REV: A	SHEET 1 OF 4
---------------	--------	--------------



TYPICAL ELEVATION WITH FASTENER SPACING



THROUGH FRAME
INSTALLATION



Max Frame	DP RATING	IMPACT
72" x 60"	+50/-55	NO

Installation Notes:

1. Seal flange/frame to substrate.
2. Use #10 PH or greater fastener through the jambs with sufficient length to penetrate a minimum of 1 1/2" into the wood framing. For two (2X) wood frame substrate (min. S.G. = 0.42).
3. Host structure (wood buck, masonry, steel) to be designed and anchored to properly transfer all loads to the structure. The host structure is the responsibility of the architect or engineer of record for the project of installation.

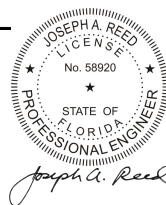
General Notes:

1. The product shown herein is designed, tested and manufactured to comply with the wind load criteria of the adopted International Building Code(IBC), the International Residential Code(IRC), the Florida Building Code(FBC) excluding HVHZ and the industry requirement for the stated conditions.
2. All glazing shall conform to ASTM E1300.
3. At minimum, glazing shall be 3.0mm annealed - 15.9mm airspace - 3.0mm annealed insulating glass.
4. Use structural or composite shims where required.

This schedule addresses only the fasteners required to anchor the window to achieve the rated design pressure up to the size limitations noted. It is not intended as a guide to the installation process and does not address the sealing consideration that may arise in different wall conditions. For the complete installation procedure, see the instructions packaged with the window or go to www.jeld-wen.com.

DISCLAIMER:

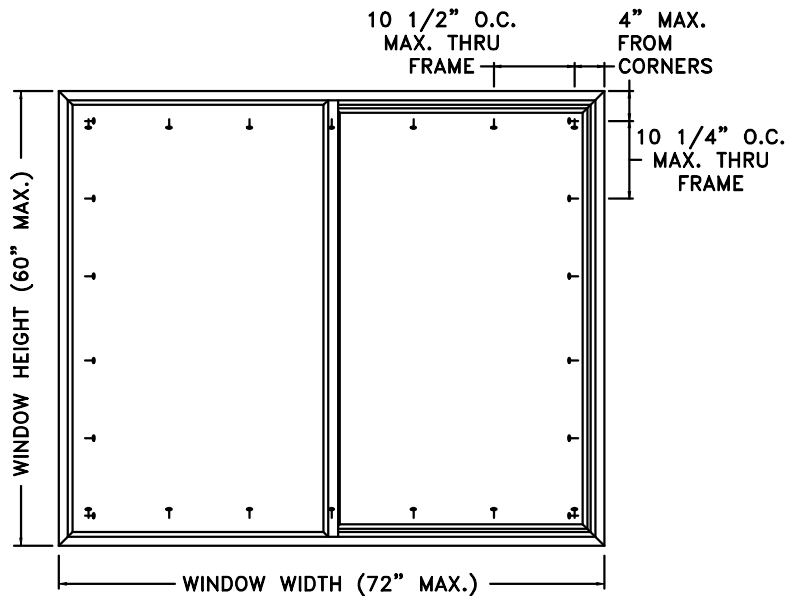
This drawing and its contents are confidential and are not to be reproduced or copied in whole or in part or used or disclosed to others except as authorized by JELD-WEN Inc.



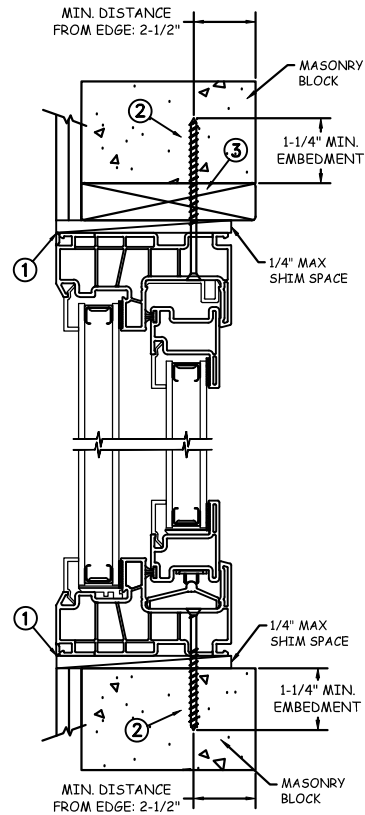
2021.02.04 11:15:22 -05'00'

JOSEPH A. REED, P.E.
Florida PE 58920, REG. No. 33474
National Certified Testing Laboratories
5 Leigh Drive, York, PA. 17406
(717) 846-1200

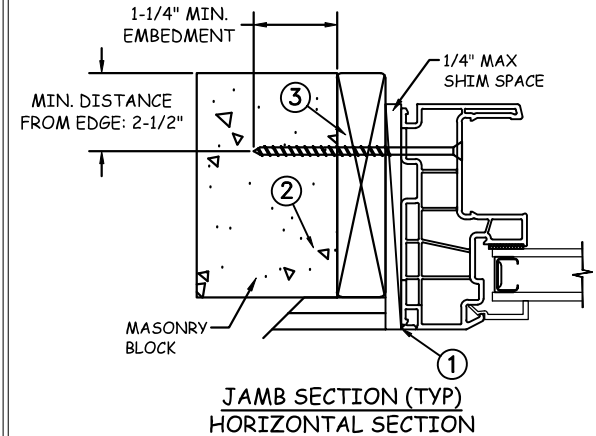
DATE: 04/13/18	JELD-WEN 3737 Lakeport Blvd Klamath Falls, OR. 97601 Phone: (800) 535-3936		
SCALE: NTS			
DRAWN BY: A. MCMILLAN	Premium Vinyl Horizontal Slider Non-Impact Window		
CHECKED BY: J. GOOSSEN			
APPROVED BY: J. GOOSSEN			
RECORD No: D014928			
REPORT No: SJW2015-051	CAD DWG. No.:	REV: A	SHEET 2 OF 4



TYPICAL ELEVATION WITH FASTENER SPACING



MASONRY INSTALLATION



Max Frame	DP RATING	IMPACT
72" x 60"	+50/-55	NO

Installation Notes:

1. Seal flange/frame to substrate.
2. Use 3/16" Tapcon or equivalent fastener through frame with sufficient length to penetrate a minimum of 1 1/4" into concrete (min. f'c = 3000 psi) or masonry (min. = 2000psi) (per ASTM C-90).
3. Host structure (wood buck, masonry, steel) to be designed and anchored to properly transfer all loads to the structure. The host structure is the responsibility of the architect or engineer of record for the project of installation.

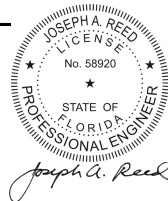
General Notes:

1. The product shown herein is designed, tested and manufactured to comply with the wind load criteria of the adopted International Building Code(IBC), the International Residential Code(IRC), the Florida Building Code(FBC) excluding HVHZ and the industry requirement for the stated conditions.
2. All glazing shall conform to ASTM E1300.
3. At minimum, glazing shall be 3.0mm annealed - 15.9mm airspace - 3.0mm annealed insulating glass.
4. Use structural or composite shims where required.

This schedule addresses only the fasteners required to anchor the window to achieve the rated design pressure up to the size limitations noted. It is not intended as a guide to the installation process and does not address the sealing consideration that may arise in different wall conditions. For the complete installation procedure, see the instructions packaged with the window or go to www.jeld-wen.com.

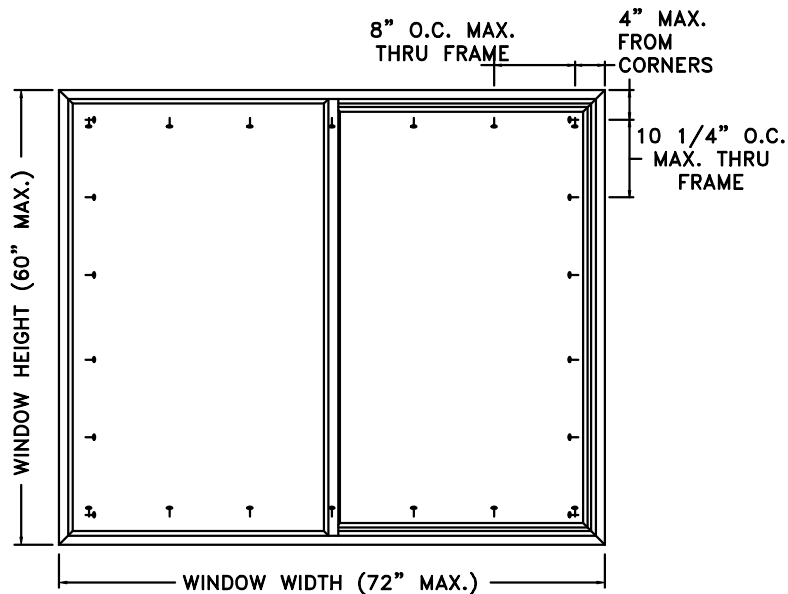
DISCLAIMER:

This drawing and its contents are confidential and are not to be reproduced or copied in whole or in part or used or disclosed to others except as authorized by JELD-WEN Inc.

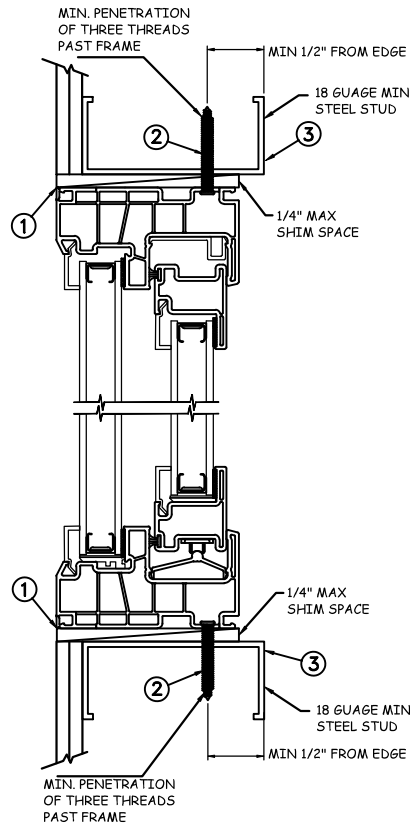


2021.02.04 11:15:22 -05'00'
JOSEPH A. REED, P.E.
 Florida PE 58920, REG. No. 33474
 National Certified Testing Laboratories
 5 Leigh Drive, York, PA. 17406
 (717) 846-1200

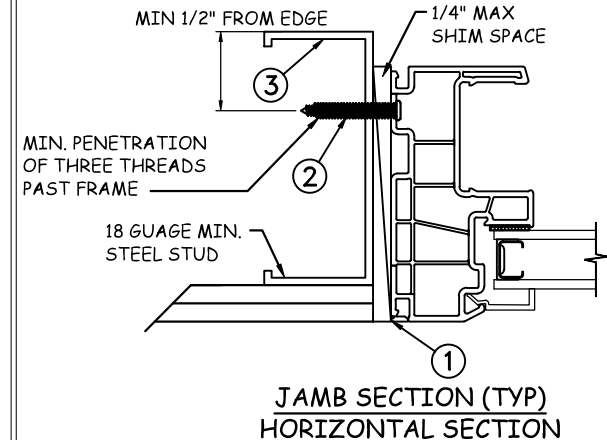
DATE: 04/13/18	JELD-WEN 3737 Lakeport Blvd Klamath Falls, OR. 97601 Phone: (800) 535-3936
SCALE: NTS	
DRAWN BY: A. MCMILLAN	TITLE: Premium Vinyl Horizontal Slider Non-Impact Window
CHECKED BY: J. GOOSSEN	
APPROVED BY: J. GOOSSEN	
RECORD No: D014928	CAD DWG. No.:
REPORT No: SJW2015-051	
	SHEET
	3 OF 4



TYPICAL ELEVATION WITH FASTENER SPACING



STEEL INSTALLATION



Max Frame	DP RATING	IMPACT
72" x 60"	+50/-55	NO

Installation Notes:

1. Seal flange/frame to substrate.
2. For anchoring into metal framing, use #8 TEK Self Tapping screws with sufficient length to achieve a minimum penetration of three threads past the frame thickness. Locate anchors as shown in elevations and installation details.
3. Host structure (wood buck, masonry, steel) to be designed and anchored to properly transfer all loads to the structure. The host structure is the responsibility of the architect or engineer of record for the project of installation.

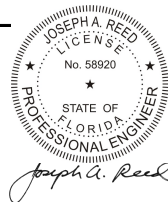
General Notes:

1. The product shown herein is designed, tested and manufactured to comply with the wind load criteria of the adopted International Building Code(IBC), the International Residential Code(IRC), the Florida Building Code(FBC) excluding HVHZ and the industry requirement for the stated conditions.
2. All glazing shall conform to ASTM E1300.
3. At minimum, glazing shall be 3.0mm annealed - 15.9mm airspace - 3.0mm annealed insulating glass.
4. Use structural or composite shims where required.

This schedule addresses only the fasteners required to anchor the window to achieve the rated design pressure up to the size limitations noted. It is not intended as a guide to the installation process and does not address the sealing consideration that may arise in different wall conditions. For the complete installation procedure, see the instructions packaged with the window or go to www.jeld-wen.com.

DISCLAIMER:

This drawing and its contents are confidential and are not to be reproduced or copied in whole or in part or used or disclosed to others except as authorized by JELD-WEN Inc.



2021.02.04 11:15:22 -05'00'

JOSEPH A. REED, P.E.
 Florida PE 58920, REG. No. 33474
 National Certified Testing Laboratories
 5 Leigh Drive, York, PA. 17406
 (717) 846-1200

DATE: 04/13/18	JELD-WEN 3737 Lakeport Blvd Klamath Falls, OR. 97601 Phone: (800) 535-3936		
SCALE: NTS			
DRAWN BY: A. MCMILLAN	Premium Vinyl Horizontal Slider Non-Impact Window		
CHECKED BY: J. GOOSSEN			
APPROVED BY: J. GOOSSEN			
RECORD No: D014928			
REPORT No: SJW2015-051	CAD DWG. No.:	REV: A	SHEET 4 OF 4